

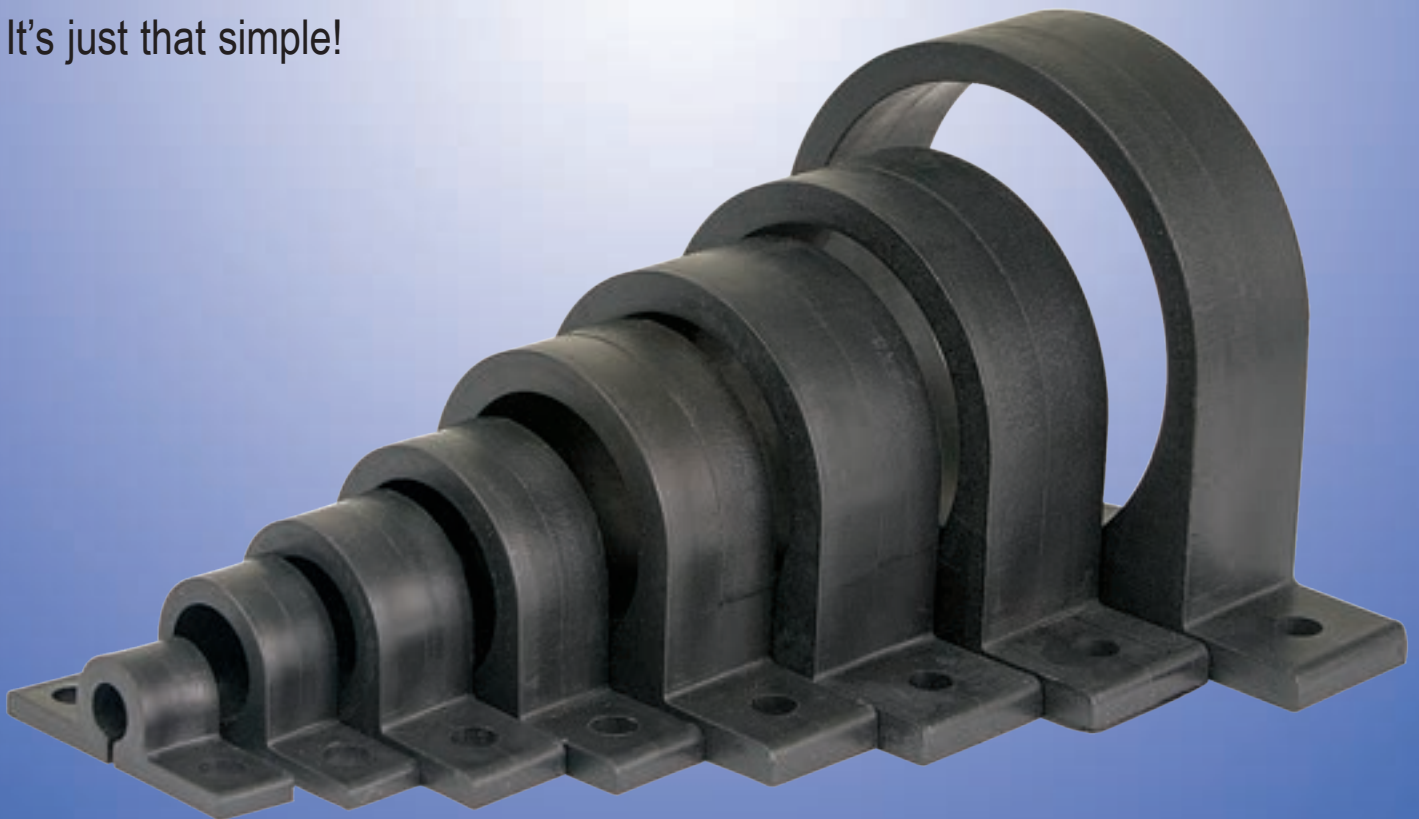


# CUSH-A-GLIDE™

## THE SIMPLICITY OF THE CUSH-A-GLIDE!

The Cush-A-Glide is designed for fast installation of copper tube or pipe, and can be easily installed in seconds with fasteners of your choice. Just spread the clamp apart placing it over the top of a tube or pipe and fasten one side. Push in the opposite side to the desired tightness, allowing for expansion and contraction, then fasten the other side.

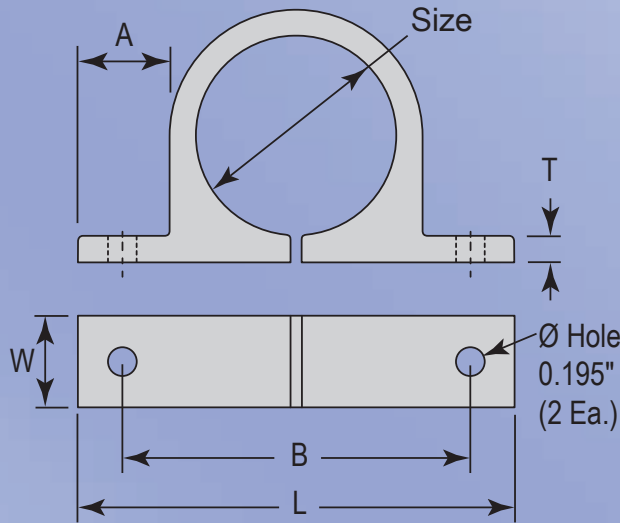
It's just that simple!





# Cush-A-Glide

- Allows for expansion and contraction of copper tube and pipe
- Excellent alternative to stainless or galvanized clamps
- Fits tightly and securely against mounting surfaces
- Made from trusted high quality TPE material
- One piece molded split ring design
- Hole size 0.195" to accept up to a #10 fastener
- Size range of 1/4" up to 2-1/8" O.D.
- Suitable for indoor or outdoor applications
- Temperature range of -50°F to 275°F (-45°C to 135°C)
- Prevents and eliminates galvanic corrosion
- Will not rust
- Made in the USA



Part No.	Pipe, Hose or Tube Size	Size	Dimensions – inches					Weight Ea. Lbs
			A	B.	L	T Thickness	W	
CAGB04	1/4"	0.245"	0.500"	1.000"	1.465"	0.110"	0.375"	0.003
CAGB06	3/8"	0.370"		1.125"	1.590"			0.004
CAGB08	1/2"	0.495"		1.250"	1.715"			0.005
CAGB10	5/8"	0.620"	0.563"	1.500"	2.045"	0.150"	0.500"	0.011
CAGB14	7/8"	0.870"		1.750"	2.295"			0.014
CAGB18	1 1/8"	1.120"		2.125"	2.730"			0.180"
CAGB22	1 3/8"	1.370"	2.375"	2.980"	0.625"	0.035		
CAGB26	1 5/8"	1.620"	2.625"	3.230"	0.750"	0.042		
CAGB34	2 1/8"	2.120"	3.125"	3.730"		0.055		

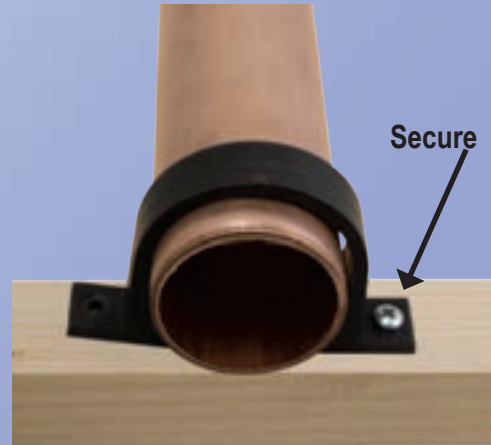


## Cush-A-Glide – Installation

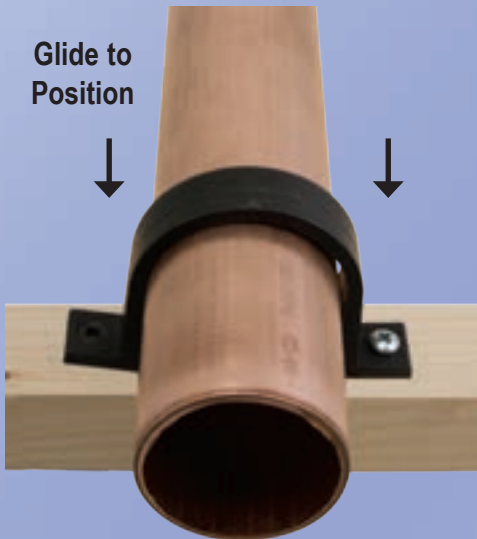
**Step 1:** Spread open Cush-a-Glide, and place it over tube, pipe, or hose



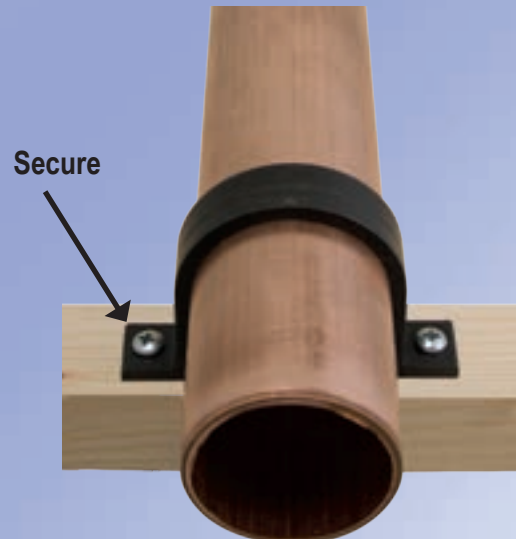
**Step 2:** Secure one side of Cush-a-Glide with a fastener of your choice



**Step 3:** Simply glide tube or pipe through the Cush-a-Glide to desired position



**Step 4:** Fasten second side of the Cush-a-Glide





### CUSH-A-NATOR®

The **Cush-A-Nator** cushion is manufactured in the USA and made from a new incredibly durable thermoplastic rubber that resists high heat and provides longer life against vibration fatigue. It is perfect a retrofit since the clamp can be installed on a pipe that is resting on the channel support.



### CUSH-A-CLAW™

The **Cush-A-Claw** grabs your tube, pipe, or hose and holds it in place. The unique one piece design allows for quick, and simple installation. It will not rust because it's molded from the same TPE Material of some of our other products that you've come to know and trust.



### CUSH-A-CLAMP®

**Cush-A-Clamp** –Channel mounted clamping systems are ideal for multiple line runs, while absorbing shock and vibration, reducing unwanted noise and preventing galvanic corrosion. Cush-A-Clamp fits any standard 1-5/8" wide channel.



### ALPHA SERIES™

**Alpha Series** – Designed for the tough jobs, the Alpha Series U-Bolt Assembly secures pipe runs to any flat surface. The cushion designed provides total load distribution, allowing the U-Bolt to become a full contact hanger, eliminating knife-edge loading. The U-Bolt traps and secures the cushion in place to prevent lateral movement.



### SNAP-A-SADDLE™

The **SNAP-A-SADDLE** provides an easy way to attach insulated pipes to support channel, with easy, tool-free installation.

- Temp Range: -50° to 275°F
- Available in both black and white, Standard 12" lengths.
- UL94-HB1 Rated TPV Material & Made in USA



### OMEGA SERIES™

The **Omega Series** clamp assembly retains, guides, protects line runs. Attached to any flat surface, the clamp eliminates the use of special channels, providing a savings in both space & cost. The cushion is manufactured from a thermoplastic elastomer, it's built tough to withstand the effects of most oils, chemicals and industrial cleaning compounds.



### CUSH-A-CLICK

The **Cush-A-Click** is ideal for the installation of refrigeration systems allowing the barrier seal to run the length of the pipe work without cutting the insulation material. It helps retain an unbroken vapor barrier seal, eliminating the problem of sweating on metal fittings.



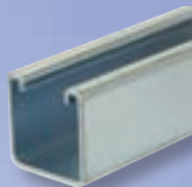
### LOOP CLAMPS

Clamps that can be slipped over a tube or wire and closed with a bolt at assembly. Holes provide easy alignment. E.P.D.M. cushion for electrical insulation and vibration absorption. The steel clamps are zinc electroplated for corrosion resistance



### WESANCO® METAL FRAMING

The **Wesanco** WESTRUT Metal Framing System consists of roll-formed channel, channel nuts and hundreds of fittings, including pipe clamps, beam clamps, angular fittings and brackets. This pre-engineered system enables the user/designer to create an astounding variety of support elements and structural configurations.



### SADDLE-UP

The **Saddle-Up** Pipe Insulation Saddle is a formed metal shield designed to allow insulated refrigeration pipe or tubing to pass through the support without need to compromise the vapor barrier and protects from crushing or damage at hanger and support locations.



DISTRIBUTED BY:



### ZSi-Foster

45065 Michigan Ave.  
Canton, MI 48188  
Tel: (734) 844-0055  
Tel: (800) 323-7053  
Fax: (734) 844-0066