



Alpha Series Extreme Temp Cushioned U-Bolt

Widest Temperature Range on the Market



- Vibration Dampening
- Prevents Knife Edge Loading
- Secures Pipe or Tube to Any Flat Surface
- -65°F to 340°F
-53°C to 170°C

- Electro-Galvanized or 316 Stainless Steel
- UV Resistant for Outdoor Use
- Prevents Galvanic Corrosion
- Made in USA



www.ZSi-Foster.com

(800) 323-7053

ZSi-Foster

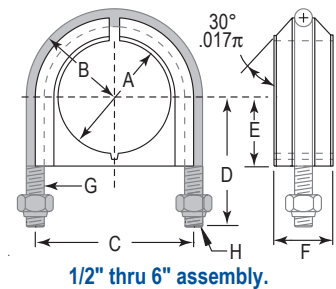
Springfield, MO | Canton, MI | La Mirada, CA



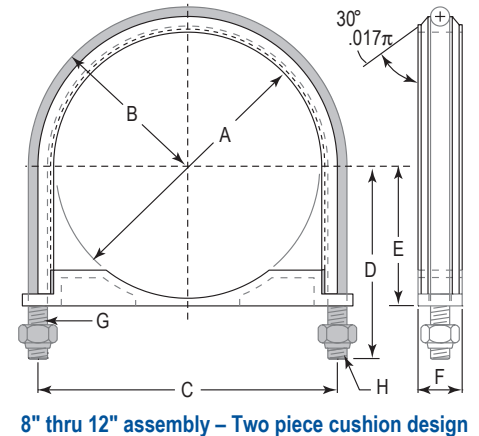
Alpha Series Extreme Temp Cushioned U-Bolt

Plumbing Contractors | Ship Builders | Commercial Contractors | Manufacturing

| Assy. Part No. | Pipe Size (Nom.) | Dimensions (Inches) | | | | | | | | Design Load | Slip Thru |
|----------------|------------------|---------------------|----------|-------|------|------|------|-----|---------------|-------------|-----------|
| | | A Dia. | B Radius | C | D | E | F | G | H | | |
| HTUB1/2PA | 1/2" | 0.840 | 0.80 | 1.60 | 1.50 | 0.67 | 0.68 | 1/4 | 1/4-20 UNC-2B | 485 | 500 |
| HTUB3/4PA | 3/4" | 1.05 | 0.90 | 1.80 | 1.60 | 0.78 | 0.68 | 1/4 | 1/4-20 UNC-2B | 485 | 500 |
| HTUB1PA | 1" | 1.31 | 1.02 | 2.05 | 1.70 | 0.91 | 0.68 | 1/4 | 1/4-20 UNC-2B | 485 | 500 |
| HTUB1-1/4PA | 1-1/4" | 1.66 | 1.27 | 2.55 | 2.10 | 1.08 | 1.24 | 3/8 | 3/8-16 UNC-2B | 1,220 | 500 |
| HTUB1-1/2PA | 1-1/2" | 1.90 | 1.40 | 2.80 | 2.20 | 1.19 | 1.24 | 3/8 | 3/8-16 UNC-2B | 1,220 | 500 |
| HTUB2PA | 2" | 2.37 | 1.67 | 3.35 | 2.50 | 1.45 | 1.24 | 3/8 | 3/8-16 UNC-2B | 1,220 | 500 |
| HTUB2-1/2PA | 2-1/2" | 2.87 | 1.95 | 3.90 | 3.00 | 1.69 | 1.24 | 1/2 | 1/2-13 UNC-2B | 2,260 | 500 |
| HTUB3PA | 3" | 3.50 | 2.27 | 4.55 | 3.30 | 2.00 | 1.24 | 1/2 | 1/2-13 UNC-2B | 2,260 | 500 |
| HTUB3-1/2PA | 3-1/2" | 4.00 | 2.52 | 5.05 | 3.70 | 2.25 | 1.24 | 1/2 | 1/2-13 UNC-2B | 2,260 | 500 |
| HTUB4PA | 4" | 4.50 | 2.50 | 5.50 | 3.90 | 2.50 | 1.24 | 1/2 | 1/2-13 UNC-2B | 2,260 | 500 |
| HTUB5PA | 5" | 5.56 | 3.25 | 6.56 | 4.50 | 3.03 | 1.24 | 1/2 | 1/2-13 UNC-2B | 2,260 | 500 |
| HTUB6PA | 6" | 6.62 | 3.87 | 7.75 | 5.40 | 3.56 | 1.44 | 5/8 | 5/8-11 UNC-2B | 3,620 | 500 |
| HTUB8PA | 8" | 8.62 | 4.85 | 9.82 | 6.40 | 4.56 | 1.44 | 5/8 | 5/8-11 UNC-2B | 3,620 | 500 |
| HTUB10PA | 10" | 10.75 | 6.08 | 12.16 | 7.70 | 5.68 | 1.65 | 3/4 | 3/4-10 UNC-2B | 5,420 | 500 |
| HTUB12PA | 12" | 12.75 | 7.13 | 14.25 | 8.70 | 6.68 | 1.65 | 3/4 | 3/4-10 UNC-2B | 5,420 | 500 |



| Assy. Part No. | Tube Size (O.D.) | Dimensions (Inches) | | | | | | | | Design Load | Slip Thru |
|----------------|---------------------------|---------------------|-----------------------------------|------|------|------|------|------------|---------------|-------------|-----------|
| | | A Dia. | B Radius | C | D | E | F | G | H | | |
| HTUB7/8TA | 7/8" | 0.875 | 0.80 | 1.60 | 1.50 | 0.67 | 0.68 | 1/4 | 1/4-20 UNC-2B | 485 | 500 |
| HTUB1TA | 1" | 1.00 | 0.90 | 1.80 | 1.60 | 0.78 | 0.68 | 1/4 | 1/4-20 UNC-2B | 485 | 500 |
| HTUB1-1/4TA | 1-1/4" | 1.25 | 1.02 | 2.05 | 1.70 | 0.91 | 0.68 | 1/4 | 1/4-20 UNC-2B | 485 | 500 |
| HTUB1-3/8TA | 1-3/8" | 1.375 | 1.02 | 2.05 | 1.70 | 0.91 | 0.68 | 1/4 | 1/4-20 UNC-2B | 485 | 500 |
| HTUB2TA | 2" | 2.00 | 1.40 | 2.80 | 2.20 | 1.19 | 1.24 | 3/8 | 3/8-16 UNC-2B | 1,220 | 500 |
| HTUB3TA | 3" | 3.00 | 1.95 | 3.90 | 3.00 | 1.69 | 1.24 | 1/2 | 1/2-13 UNC-2B | 2,260 | 500 |
| HTUB4TA | 4" | 4.00 | 2.52 | 5.05 | 3.70 | 2.25 | 1.24 | 1/2 | 1/2-13 UNC-2B | 2,260 | 500 |
| HTUB5TA | 5" | 5.00 | 3.25 | 6.56 | 4.50 | 3.03 | 1.24 | 1/2 | 1/2-13 UNC-2B | 2,260 | 500 |
| HTUB6TA | 6" | 6.00 | 3.87 | 7.75 | 5.40 | 3.56 | 1.44 | 5/8 | 5/8-11 UNC-2B | 3,620 | 500 |
| ↓ SUFFIX | Clamp | | Cushion | | | | | Example | | | |
| NONE | Electro-galvanized | | High Temp Thermoplastic elastomer | | | | | HTUB1/2PA | | | |
| 6 | Stainless Steel, Type 316 | | High Temp Thermoplastic elastomer | | | | | HTUB1/2PA6 | | | |



Call ZSi-Foster at (800) 323-7053
or order now at ZSi-Foster.com

ZSi-Foster

Springfield, MO | Canton, MI | La Mirada, CA